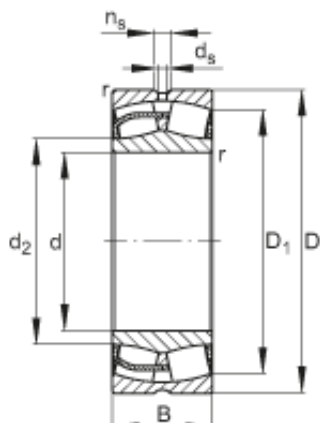




AMERICAN BEARING MFG.CORP.



170 mm x 280 mm x 109 mm FAG 24134-E1 Spherical roller bearings

Bearing No. 24134-E1

Size	170x280x109 mm
Bore Diameter	170 mm
Outer Diameter	280 mm
Width	109 mm
d	170 mm
D	280 mm
B	109 mm
D ₁	240 mm
D _{a max}	268 mm
d ₂	194,1 mm
d _{a min}	182 mm
d _s	4,8 mm
n _s	9,5 mm
r _{a max}	2,1 mm
r _{min}	2,1 mm
m	26,4 kg / Weight
C _r	1260000 N / Dynamic load rating (radial)
e	0,36
Y ₁	1,9
Y ₂	2,83
C _{0r}	1900000 N / Static load rating (radial)
Y ₀	1,86

24134-E1 Bearing 2D drawings and 3D CAD models



AMERICAN BEARING MFG.CORP.

n_G	2110 1/min / Limiting speed
n_B	1080 1/min
C_{ur}	179000 N / Fatigue limit load, radial