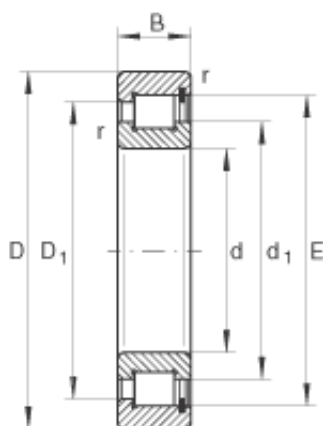




## AMERICAN BEARING MFG.CORP.



### 200 mm x 280 mm x 48 mm INA SL182940 Cylindrical Roller Bearings

Bearing No. SL182940

SL182940 Bearing 2D drawings and 3D CAD models

Size	200x280x48 mm
Bore Diameter	200 mm
Outer Diameter	280 mm
Width	48 mm
d	200 mm
D	280 mm
B	48 mm
D <sub>1</sub>	252,4 mm
d <sub>1</sub>	225,5 mm
E	261,6 mm
r <sub>min</sub>	2,1 mm
s	3 mm / Axial displacement
m	9,1 kg / Weight
C <sub>r</sub>	610000 N / Dynamic load rating (radial)
C <sub>0r</sub>	940000 N / Static load rating (radial)
C <sub>ur</sub>	140000 N / Fatigue limit load, radial
n <sub>G</sub>	1320 1/min / Limiting speed
Category	Roller Bearings
Inventory	0.0
Manufacturer Name	SCHAEFFLER GROUP
Minimum Buy Quantity	N/A
Weight / Kilogram	10.897
EAN	4047643203210



# AMERICAN BEARING MFG.CORP.

Product Group	
---------------	--

	B04144
--	--------