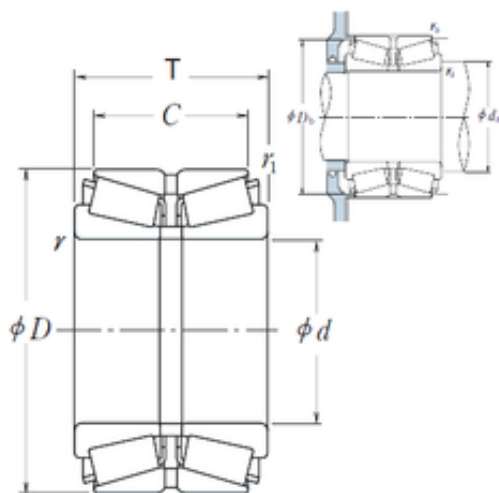




AMERICAN BEARING MFG.CORP.

NSK 260KBE031+L Taperedrollerbearings

Bearing No. 260KBE031+L



260KBE031+L Bearing 2D drawings and 3D CAD models

| | |
|-------------------------------|----------------|
| Size | 260x440x180 mm |
| Bore Diameter | 260 mm |
| Outer Diameter | 440 mm |
| Width | 180 mm |
| d | 260 mm |
| D | 440 mm |
| T | 180 mm |
| C | 144 mm |
| r min. | 5 mm |
| r1 min. | 1,5 mm |
| da min. | 287 mm |
| Db min. | 416 mm |
| ra max. | 4 mm |
| rb max. | 1,5 mm |
| Weight | 104 Kg |
| Basic dynamic load rating (C) | 2110 kN |
| Basic static load rating (C0) | 4150 kN |
| (Grease) Lubrication Speed | 600 r/min |
| (Oil) Lubrication Speed | 800 r/min |
| Calculation factor (e) | 0,39 |
| Calculation factor (Y0) | 1,7 |
| Calculation factor (Y2) | 2,6 |