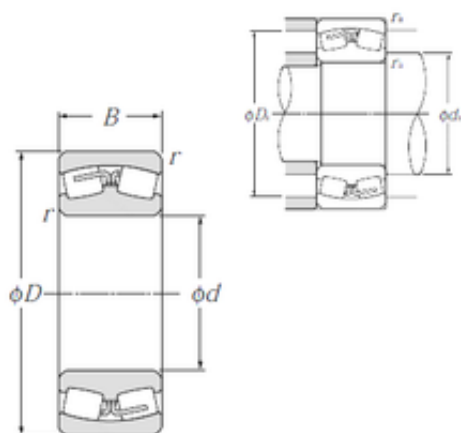




AMERICAN BEARING MFG.CORP.

120 mm x 180 mm x 46 mm NTN 23024B Spherical Roller Bearing



Bearing No. 23024B

Size	120x180x46 mm
Bore Diameter	120 mm
Outer Diameter	180 mm
Width	46 mm
d	120 mm
D	180 mm
B	46 mm
C	46 mm
r min.	2 mm
da min.	130 mm
Da max.	170 mm
ra max.	2 mm
Weight	4,05 Kg
Basic dynamic load rating (C)	296 kN
Basic static load rating (C0)	495 kN
(Grease) Lubrication Speed	2 000 r/min
(Oil) Lubrication Speed	2 600 r/min
Calculation factor (e)	0,25
Calculation factor (Y0)	2,63
Calculation factor (Y1)	2,69

23024B Bearing 2D drawings and 3D CAD models