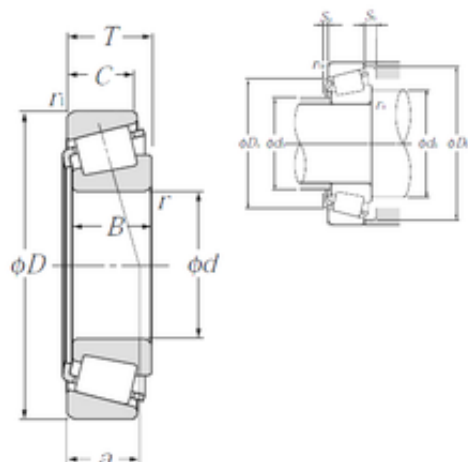




AMERICAN BEARING MFG.CORP.



75 mm x 160 mm x 37 mm NTN 30315U Tapered Roller Bearing

Bearing No. 30315U

30315U Bearing 2D drawings and 3D CAD models

Size	75x160x40 mm
Bore Diameter	75 mm
Outer Diameter	160 mm
Width	40 mm
d	75 mm
D	160 mm
T	40 mm
B	37 mm
C	31 mm
ra1 max.	2 mm
a	32 mm
r min.	3 mm
r1 min.	2,5 mm
da min.	89 mm
Da min	139 mm
Da max.	148 mm
db max.	95 mm
Db min.	149 mm
ra max.	2,5 mm
Sa	4 mm
Sb	9 mm
Weight	3,57 Kg
Basic dynamic load rating (C)	255 kN
Basic static load rating (C0)	305 kN
(Grease) Lubrication Speed	2 400 r/min



AMERICAN BEARING MFG.CORP.

(Oil) Lubrication Speed	3 200 r/min
Calculation factor (e)	0,35
Calculation factor (Y0)	0,96
d1	114.5 mm
rs min	3 mm
r1s min	2.5 mm
e	0.35
Y2	1.74
Y0	0.96
Mass	3.57 kg
ISO 355 reference	T2GB075
Dynamic load, C	255 kN
Rating life coefficient, A2	1
Static load, C0	305 kN
Fatigue limit load, Cu	35.2 kN
Nlim (oil)	3,200 rpm
Nlim (grease)	2,400 rpm
Min operating temperature, Tmin	-40 ° C
Max operating temperature, Tmax	120 ° C
Characteristic cage frequency, FTF	0.41 Hz
Characteristic rolling element frequency, BSF	5.27 Hz
Characteristic outer ring frequency, BPF0	6.57 Hz
Characteristic inner ring frequency, BRFI	9.43 Hz
da max	95 mm
db min	89 mm
Da max	148 mm
Db min	149 mm
Ca min	4 mm



AMERICAN BEARING MFG.CORP.

Cb min	9 mm
ra max	2.5 mm
r1a max	2 mm
Category	Bearings
Inventory	0.0
Manufacturer Name	NTN
Minimum Buy Quantity	N/A
Weight / Kilogram	0
EAN	4547359002942
Product Group	B04334