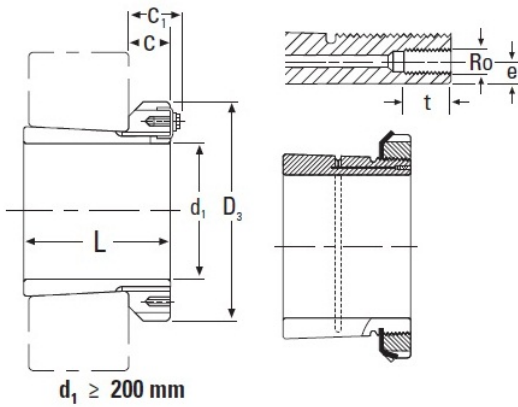




AMERICAN BEARING MFG.CORP.



TIMKEN OH3060H Adaptersleeves

Bearing No. OH3060H

d1	280.00 mm
L ¹	168.00 mm
C	42 mm
G	Tr300x4
D ₃	360 mm
Weight	22.80 Kg
C ₁	54.00 mm
Ro	M6
e	4.2 mm
t	9 mm
Locknut	HM3060
Lockwasher and Lockplates	MS3060
Appropriate Hydraulic Nut	HMV60

OH3060H Bearing 2D drawings and 3D CAD models