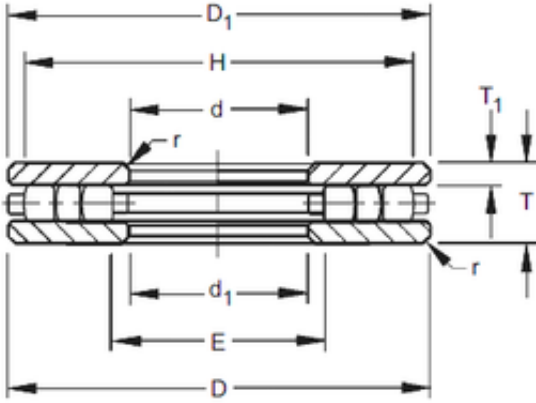




AMERICAN BEARING MFG.CORP.

TIMKEN 40TP116 cylindrical roller thrust bearing

Bearing No. 40TP116



40TP116 Bearing 2D drawings and 3D CAD models

Size	101.6x228.6x44.45 mm
Bore Diameter	101,6 mm
Outer Diameter	228,6 mm
Width	44,45 mm
d	101,6 mm
D	228,6 mm
T	44,45 mm
r max	1,6 mm
T1	12,7 mm
d1	103,19 mm
D1	227,01 mm
E	115,9 mm
H	214,3 mm